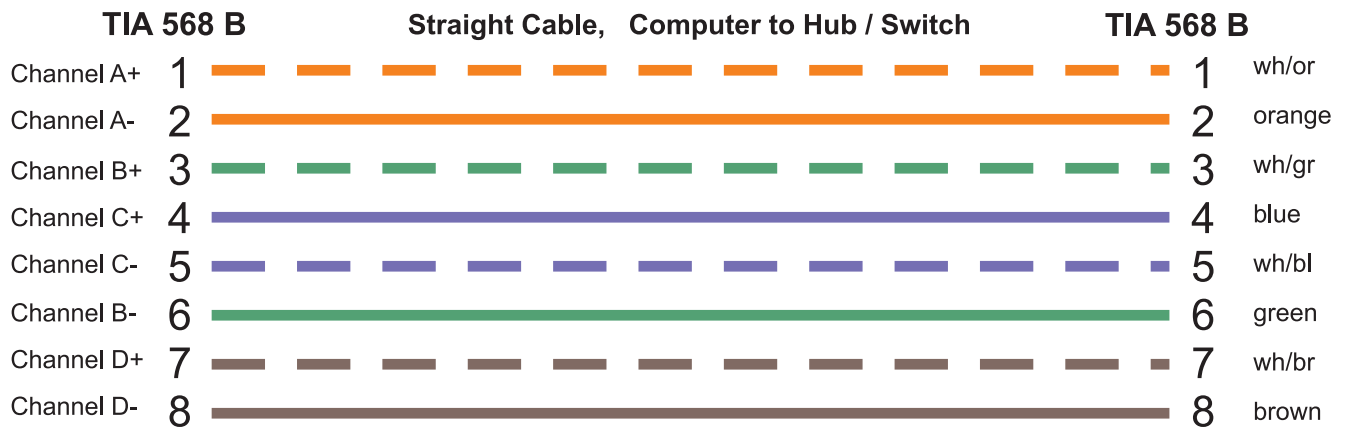
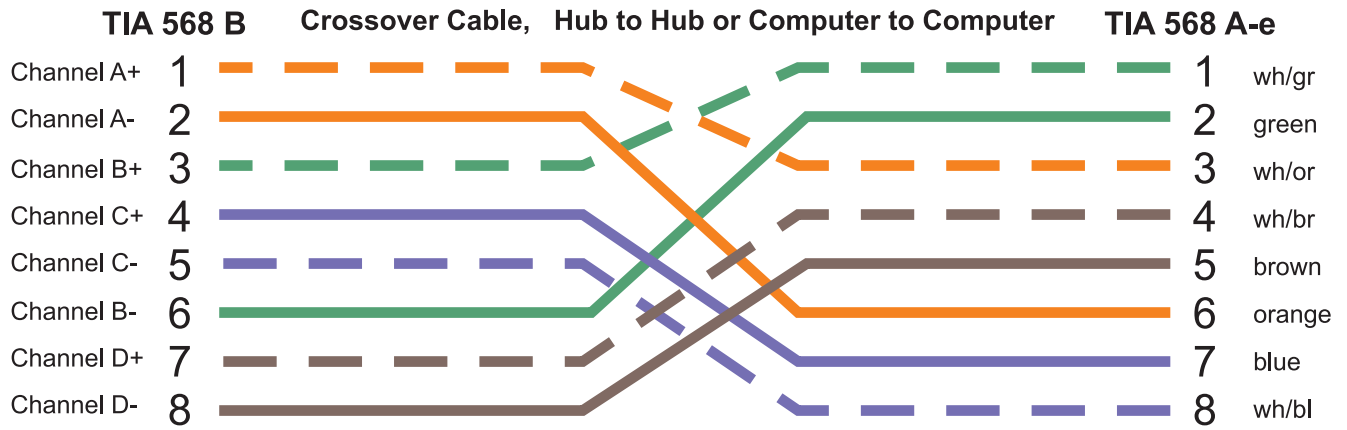


# Gigabit Cable Connections



These cable and pin layouts are working equally well in all Ethernet environments as 10 Base-T, 100 Base-T and 1000 Base-T.

The E in TIA 568 A-e refers to the enhanced capabilities from the Category 5-e Cable Specifications.

The cables with the colors of blue, white-blue; brown, white-brown are unused in 10 Base-T and 100 Base-T.

The color scheme is based on the new TIA 568 B standard and will perform optimal in conjunction with a network, based on the TIA 568 A standard.

The only difference is that the Orange and Green colored cables swap places, but the electronic signals don't care about colors.

